

INSTALLATION AND MAINTENANCE INSTRUCTIONS

BM - BIMETALIC STEAM TRAPS

BM 35 – BM45 – BM80 – BM140

GENERAL

- These instructions must be carefully read before any work involving products supplied by VALSTEAM ADCA ENGINEERING S.A. is undertaken.
- The installation procedure is a critical stage in a life of a steam trap and care should be taken to avoid damage to the trap or equipment.

Warning!

- At start up, the presence of small particles in the water (dirt, scale, weld splatters, etc) may cause an unperfected closure of the seat. If this occurs, proceed to an accurate cleaning.
- Do not touch the equipment without appropriate protection during working operation because it may conduct heat if the used fluid is at high temperature.
- Before starting maintenance be sure that the equipment is not pressurized or hot.
- The equipments must be used within the working temperature and pressure limits laid down for them, otherwise they may fail (refer to nameplate and/or IS- Information Sheet).
- Do not remove the nameplate attached to the equipment. Serial number and other useful information is stamped on it.

INSTALLATION



ATTENTION

- Before to install remove plastic covers placed on flanges or connection ends. The equipment has an arrow or Inlet/Outlet designations. Be sure that it will be installed on the appropriate direction.
- Install the steam trap in the point of the system, where the condensate tends to collect. It can be installed in any position. An ADCA strainer can be installed upstream of the trap as additional protection.

BODY LIMITING CONDITIONS - BM35			
FLANGED PN40 *	FLANGED ANSI 300 **	FLANGED PN63/100/ANSI 600*	RELATED TEMP.
ALLOW. PRES.	ALLOW. PRES.	ALLOW. PRES.	
40 bar	50 bar	63 bar	50 °C
30,4 bar	41,8 bar	48 bar	250 °C
27,6 bar	38,9 bar	43,5 bar	300 °C
18,5 bar	28,7 bar	29,1 bar	425 °C

* According to EN1092-1:2007 ; ** Acc. to EN1759-1:2004

Operating pressure : 2 to 35 bar

Body limiting conditions PN63 or below, depending on the type of connection adopted. Rating PN63 for thread, SW and BW.

BODY LIMITING CONDITIONS - BM45		
FLANGED ANSI 300 **	FLANGED PN63/100/ANSI 600*	RELATED TEMP.
ALLOW. PRES.	ALLOW. PRES.	
50 bar	63 bar	50 °C
41,8 bar	48 bar	250 °C
38,9 bar	43,5 bar	300 °C
28,7 bar	29,1 bar	425 °C

* According to EN 1092-1:2007 ; ** Acc. to EN 1759-1:2004
Operating pressure : 15 to 45 bar

Body limiting conditions PN63 or below, depending on the type of connection adopted. Rating PN63 for thread, SW and BW.

BODY LIMITING CONDITIONS - BM80		
FLANGED PN100 *	FLANGED ANSI 600 **	RELATED TEMP.
ALLOW. PRES.	ALLOW. PRES.	
100 bar	100 bar	50 °C
100 bar	92,7 bar	250 °C
98 bar	80,4 bar	350 °C
88 bar	67,7 bar	450 °C

* According to EN 1092-1:2007 ; ** Acc. to EN 1759-1:2004
Operating pressure : 25 to 80 bar

Body limiting conditions PN100 or below, depending on the type of connection adopted. Rating PN100 for thread, SW and BW.

BODY LIMITING CONDITIONS - BM140		
FLANGED PN160 *	FLANGED ANSI 900 **	RELATED TEMP.
ALLOW. PRES.	ALLOW. PRES.	
160 bar	128,6 bar	300 °C
156 bar	120,7 bar	350 °C
141 bar	101,4 bar	450 °C
52 bar	46 bar	550 °C

* According to EN 1092-1:2007 ; ** Acc. to EN 1759-1:2004
Operating pressure : 25 to 140 bar

Body limiting conditions PN160 or below, depending on the type of connection adopted. Rating PN160 for thread, SW and BW.

MAINTENANCE

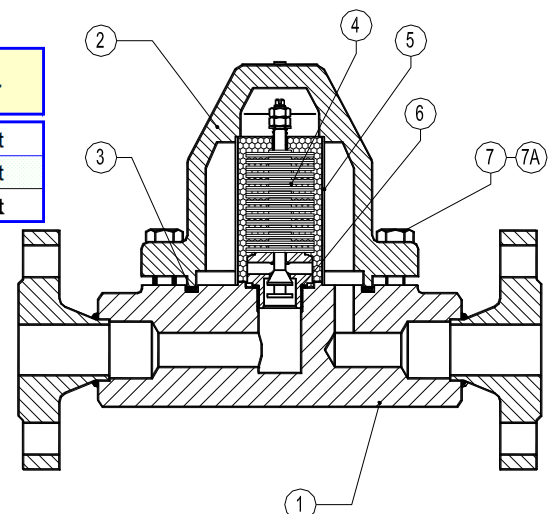
- We recommend that the steam traps are serviced as necessary. Steam traps should be checked periodically (at least yearly), to verify that they are operating correctly and to clean the internal parts and strainer screen.
- When reassembling make sure that all gasket faces are clean and always use a new gasket. Tighten cover bolts uniformly in a diagonal sequence.
- For further information refer to the relevant IS (Information Sheet) or consult our Sales Office.

CE Marking:

This product has been designed for use on steam and water which are in Group 2 of the European PED-Pressure Equipment Directive and it complies with those requirements.
The product fall within category SEP and must not be CE marked.

PARTS LIST FOR BM 35:

CODE	DESIGNATION	TRAP SIZE DN	POS.NR.	QTY.
A.95.5035.015	Valve regulator & gasket	1/2" - 1"	3, 4	1 set
A.95.5045.115	Strainer screen & gasket	1/2" - 1"	5, 6	1 set
A.95.5045.215	Cover gasket	1/2" - 1"	3	1 set



Recommended tightening torques:

POS.NR.	TRAP SIZE DN	Nm
7	1/2" - 1"	160

Remarks: Tighten cover bolts uniformly.

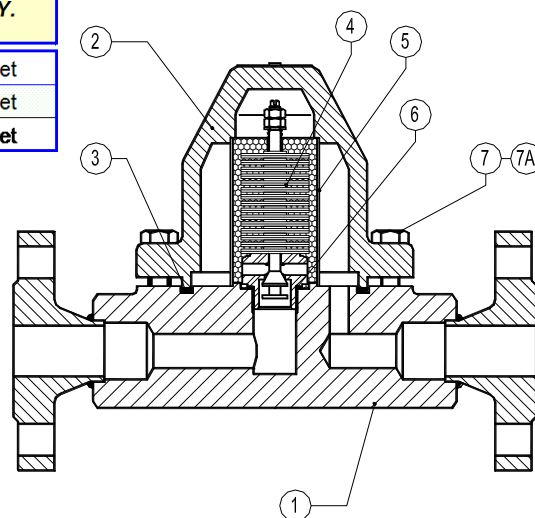
PARTS LIST FOR BM 45:

CODE	DESIGNATION	TRAP SIZE DN	POS.NR.	QTY.
A.95.5045.015	Valve regulator & gasket	1/2" - 1"	3, 4	1 set
A.95.5045.115	Strainer screen & gasket	1/2" - 1"	5, 6	1 set
A.95.5045.215	Cover gasket	1/2" - 1"	3	1 set

Recommended tightening torques:

POS.NR.	TRAP SIZE DN	Nm
7	1/2" - 1"	160

Remarks: Tighten cover bolts uniformly.



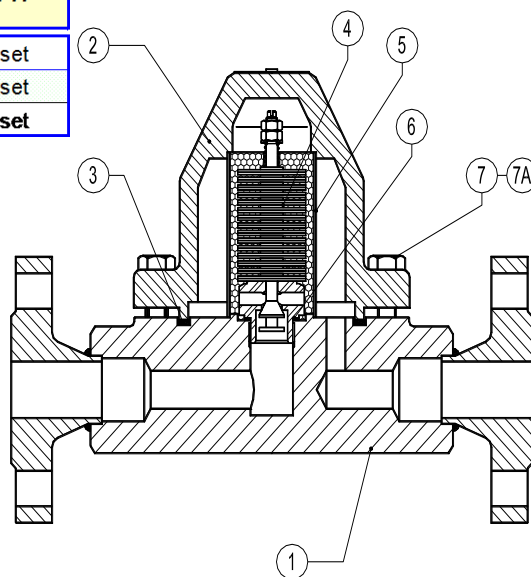
PARTS LIST FOR BM 80:

CODE	DESIGNATION	TRAP SIZE DN	POS.NR.	QTY.
A.95.5150.015	Valve regulator & gasket	1/2" - 1"	3, 4	1 set
A.95.5150.115	Strainer screen & gasket	1/2" - 1"	5, 6	1 set
A.95.5150.215	Cover gasket	1/2" - 1"	3	1 set

Recommended tightening torques:

POS.NR.	TRAP SIZE DN	Nm
7	1/2" - 1"	160

Remarks: Tighten cover bolts uniformly.



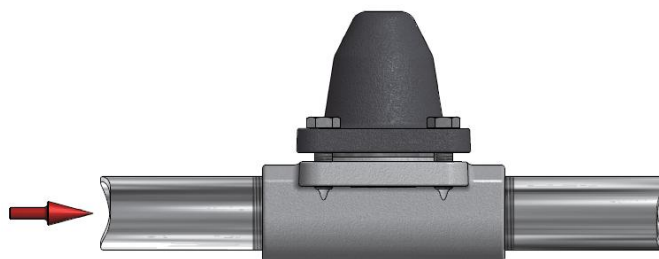
PARTS LIST FOR BM 140:

CODE	DESIGNATION	TRAP SIZE DN	POS.NR.	QTY.
A.95.5151.015	Valve regulator & gasket	1/2" - 1"	3, 4	1 set
A.95.5151.115	Strainer screen & gasket	1/2" - 1"	5, 6	1 set
A.95.5151.215	Cover gasket	1/2" - 1"	3	1 set

Recommended tightening torques:

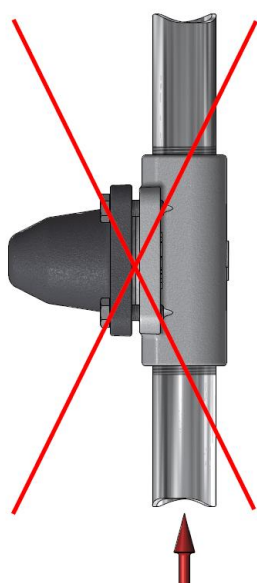
POS.NR.	TRAP SIZE DN	Nm
7	1/2" - 1"	160

Remarks: Tighten cover bolts uniformly.

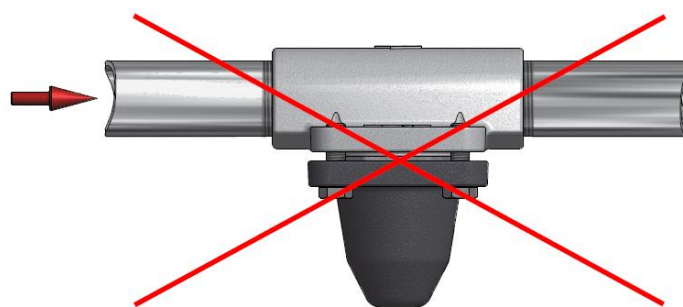


Recommended Installation

Acceptable in any position except:



Wrong Installation



Wrong Installation

PRODUCTS RETURNING



ATTENTION

- Information regarding any hazards and precautions to be considered because of contaminating fluids and residues or mechanical damage that may represent a health, safety or environmental risk, must be provided in writing by the distributors and costumers when returning products to Valsteam ADCA engineering.
- Health and safety data sheets regarding substances identified as hazardous or potentially hazardous must be provided with the information mention above.



ATTENTION

- **LOSS OF WARRANTY:** Total or partial disregard of above instructions involves loss of any right to warranty.